



W30

Features

- High operating comfort thanks to our specially developed long-stroke keys
- Carbon contact technology
- All keys are completely freely programmable (data strings with up to 16/32 digits possible)
- Programmable on 2 levels (double assignment of each key with shift)
- Key symbols can be made by yourself (insert in transparent caps) or can be lasered on request
- Any customer-specific adaptations can be implemented on request
- Freely selectable button sizes (1x1, 2x1, 2x2)
- Housing adapted to the DS104W, can thus be added on
- Available in Black or Pebble Grey (RAL 7032)
- Available with 30, 60 or 90 keys

Mechanical Data

- Dimensions of 133 x 185 x 39 mm
- 3,25 mm travel keys with tactile feel
- Operation force 0,65 N
- 30 keys in compact layout
- Easy to change 19x19 mm keycaps (optional 19x38 mm and 38x38 mm)
- Durability > 10 million ops.
- Storage temperature -40°C - +80°C
- Operation temperature -30°C - +60°C
- Protection IP65

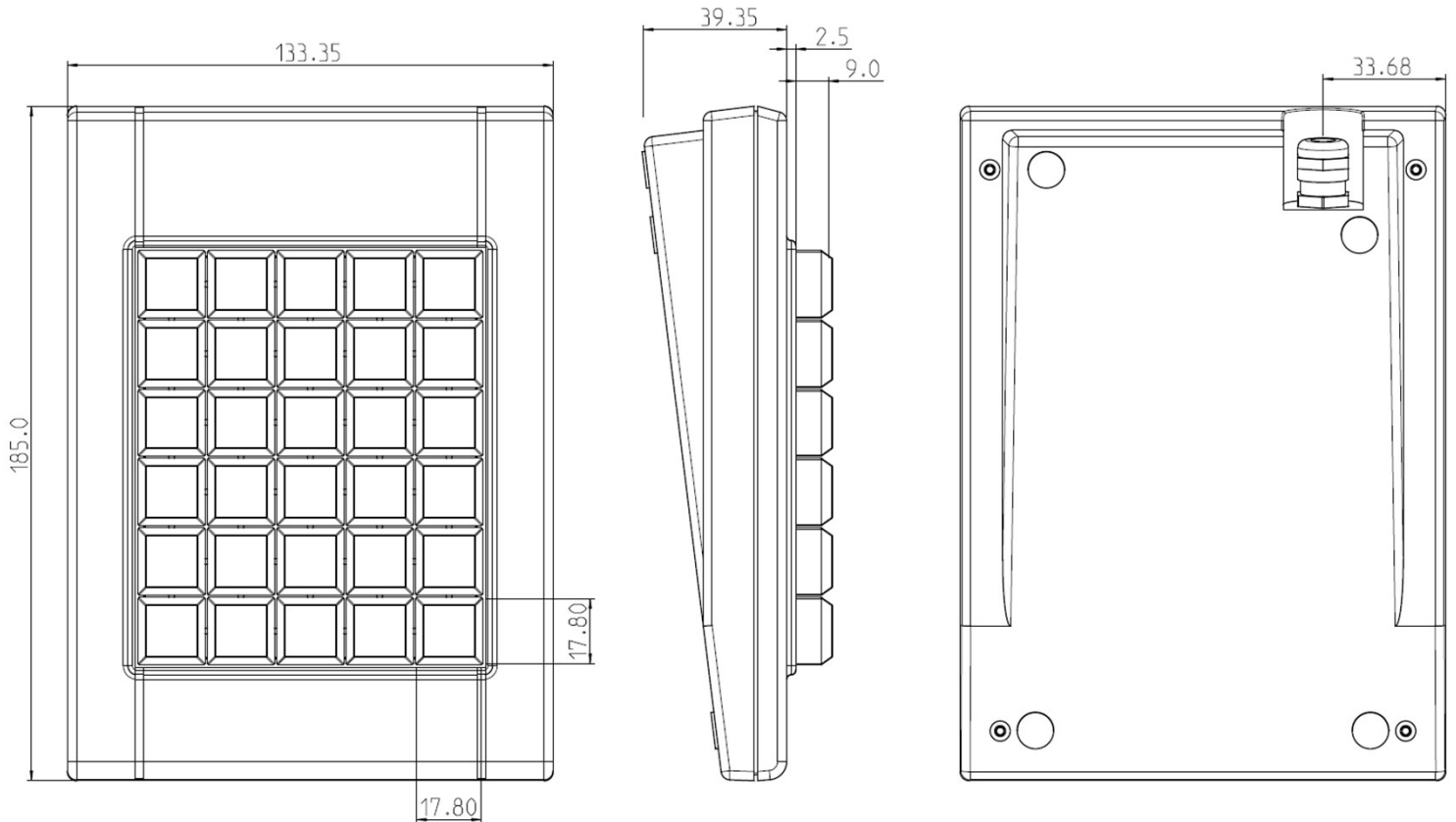
Electrical Data

- Connection options: USB 2.0
- Power supply + 5 V/DC, 30 mA
- CE Compliant
- RoHS/Reach Compliant



control touch trust

Drawing



Variants

Here is a selection of or other freely programmable keyboards. Are you interested in any of the following solutions?



Programmable DS24TW



Programmable 30T-ES

Also available ...

with 60 keys

with 90 keys

as Mounting Version

with DS104W to add on



+49 7738 80241-0 ▶

support@printecds.com ▶

www.printecds.com ▶